

Botanical Study™ Design on Kathryn® Under-mount Basin

14275

Product Description: Botanical Study design on Kathryn under-mount basin, no tap hole

Required Items: 7129B-CP Decorative waste

Product Dimensions: W444 x D339 mm internal
W502 x D397 mm external

Material: Vitreous China

Product Weight (kg): 23.1

Fixings Included: Yes

Guarantee (Years): 25

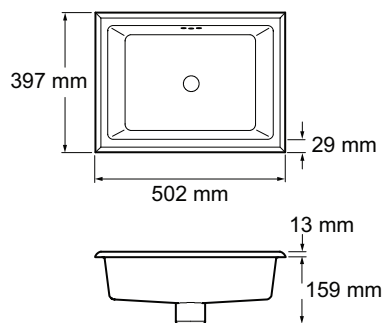
Additional Information: Rinse thoroughly and use a soft cloth to wipe the product dry after use. Soft abrasive cleaners and warm water may be used when necessary to clean your decorative products. Strong abrasive cleaners will scratch and dull the surface.

Colours:



Botanical Study

Dimensions (mm)



Kohler UK

Sales and Technical:

+44 (0) 844 571 0048 (Calls cost 7p per minute plus your phone company's access charge)

info@kohler.co.uk

www.KOHLER.co.uk

THE BOLD LOOK
OF **KOHLER**®